

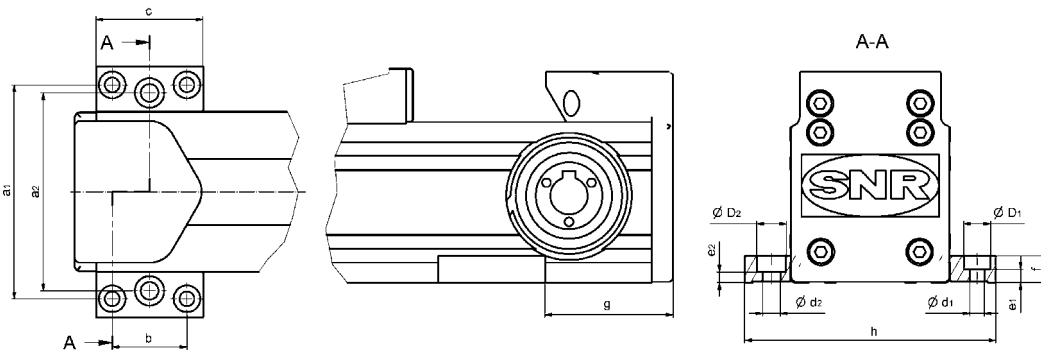
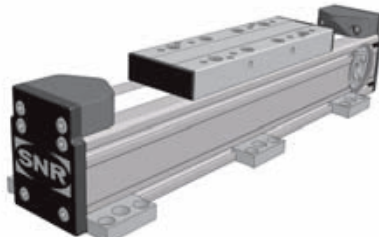
Attachments and fasteners



There is a range of optimally coordinated fixing elements available for the fastening of the different linear modules. Sliding blocks, fastening strips and adapters offer the most diverse possibilities to bolt down our modules on mounting surfaces or with each other. In addition, we also offer gantry support legs matched to the linear axes and axle systems to complete the range.

The distance of the fixing points depends on the load and the desired straightness as well as rigidity.

I Fastening strips for AXC / AXDL



Linear axis	Article description	a1	a2	b	c	d1	D1	e1	d2	D2	e2	f	g ¹⁾	h
AXC40	AXC40 fastening strip	55	-	28	40	5,5	10	7	-	-	-	13	38 ²⁾	66
AXC60 ³⁾	AXC60 fastening strip	80	74	28	40	5,5	10	5	6,6	11	4	10	48	94
AXC80	AXC80 fastening strip	94	-	50	70	6,6	11	14	-	-	-	20	76	108
AXC120 ⁴⁾	AXC120 fastening strip	136	-	60	78	9	15	11,5	-	-	-	22	105	160
	Fastening strip 2	140	-	40	80	9	15	13	-	-	-	22	105	160
	Fastening strip 3	140	140	80	120	9	15	13	9	15	13	22	105	160
AXDL110	AXDL110 fastening strip	126	-	30	47	5,5	9	3,5	-	-	-	7	69	140
AXDL160	AXDL160 fastening strip	174	-	50	68	6,6	11	3,5	-	-	-	9	88	188
AXDL240 ⁴⁾	AXC120 fastening strip	256	-	60	78	9	15	11,5	-	-	-	22	108	280
	Fastening strip 2	260	-	40	80	9	15	13	-	-	-	22	108	280
	Fastening strip 3	260	260	80	120	9	15	13	9	15	13	22	108	280

1) If applicable: size k2 of drive adapter or gearbox, however follow at least size a of the drive-side machining!

2) With mounted coupling.

3) Furthermore, suitable for size 20 standard profiles.

4) Furthermore, suitable for size 40 standard profiles.

I Sliding blocks

Model E

- Standard sliding block
- St galvanized
- Can be swiveled into any position
- Fixed via spring-loaded ball



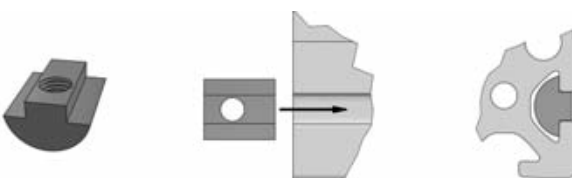
Model R

- For efficient part installation
- Zn galvanized
- Pre-mounted on the component and used in any position
- Locked by turning of screw

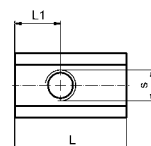


Model S

- Heavy-duty sliding block
- St galvanized
- Push in from profile end
- To groove width 8 fixed via spring-loaded ball



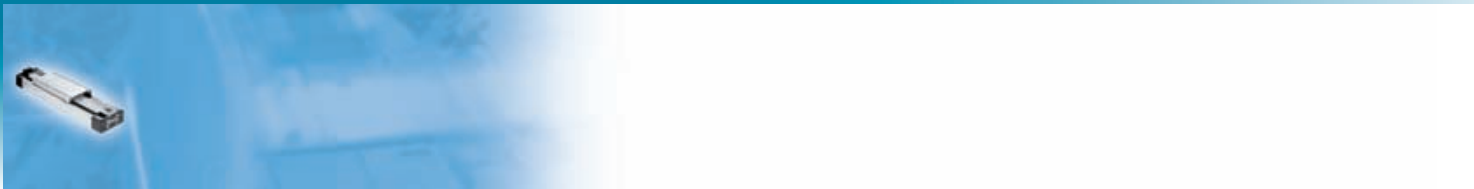
Linear axis	Sliding block designation	Model	s	L ¹⁾	L1 ¹⁾	TA [Nm] ²⁾	max. tensile force [N]
AXC40 AXC60	5 ST M3	E	M3	12	3	1,5	500
	5 ST M4	E	M4	12	4	3,0	500
	5 ST M5	E	M5	12	4	4,5	500
	5 Zn M3	R	M3	5	2,5	1,0	50
AXC80	6 ST M4	E	M4	17	5	4,0	1750
	6 ST M5	E	M5	17	5	8,0 ³⁾	1750
	6 ST M6	E	M6	17	5,5	14 ³⁾	1750
	6 Zn M4	R	M4	15	7,5	1,5	150
AXC120 AXLT155 AXLT225 AXS120T AXS160 AXS200 AXDL240	8 ST M4	E	M4	22	9	4,0	2500
	8 ST M6	E	M6	22	9	14 ³⁾	3500
	8 ST M8	E	M8	22	9	25	5000
	8 Zn M4	R	M4	19	9,5	1,5	250
	8 Zn M5	R	M5	19	9,5	1,5	250
	8 ST M5 adjustable	S	M5	22	9	8,0 ³⁾	2500
	8 ST M6 adjustable	S	M6	22	7	14 ³⁾	3500
	8 ST M8 adjustable	S	M8	20	7	34 ³⁾	5000
	12 ST M6	S	M6	20	10	14 ³⁾	3500
AXS280	12 ST M8	S	M8	20	10	34 ³⁾	6000
	12 ST M10	S	M10	35	11,5	46	10000
	AXS230	DIN508-14 M8	S	M8	22	11	34 ³⁾
AXS460	DIN508-14 M12	S	M12	22	11	85	10000



1) maximum values, different dimensions possible.

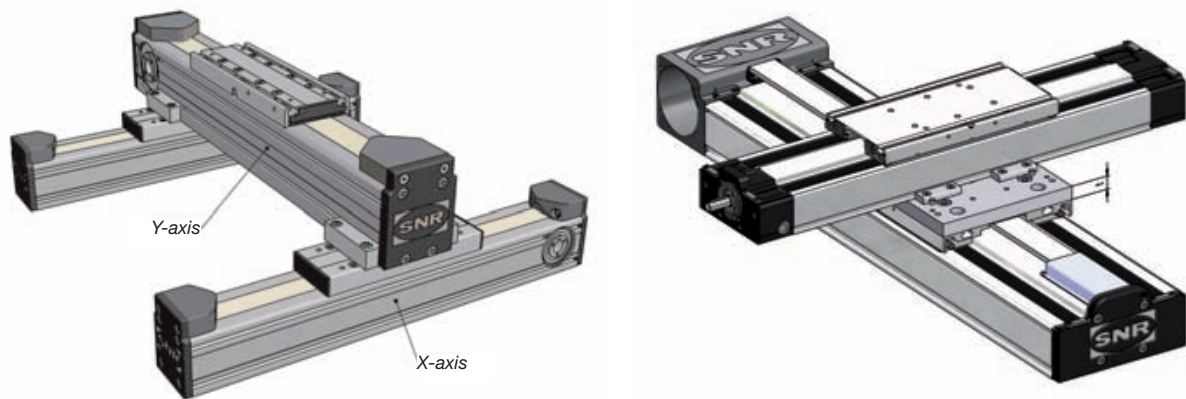
2) maximum tightening torque.

3) screws with strength category 10.9 are necessary in space utilization of the maximum tightening torques.



I Direct connection

We offer the user a lot of possibilities to connect the axes in a multi-axis system. Different adapter models are available. The connection kits contain all other necessary connection items (example: adapter plates, screws, etc.)



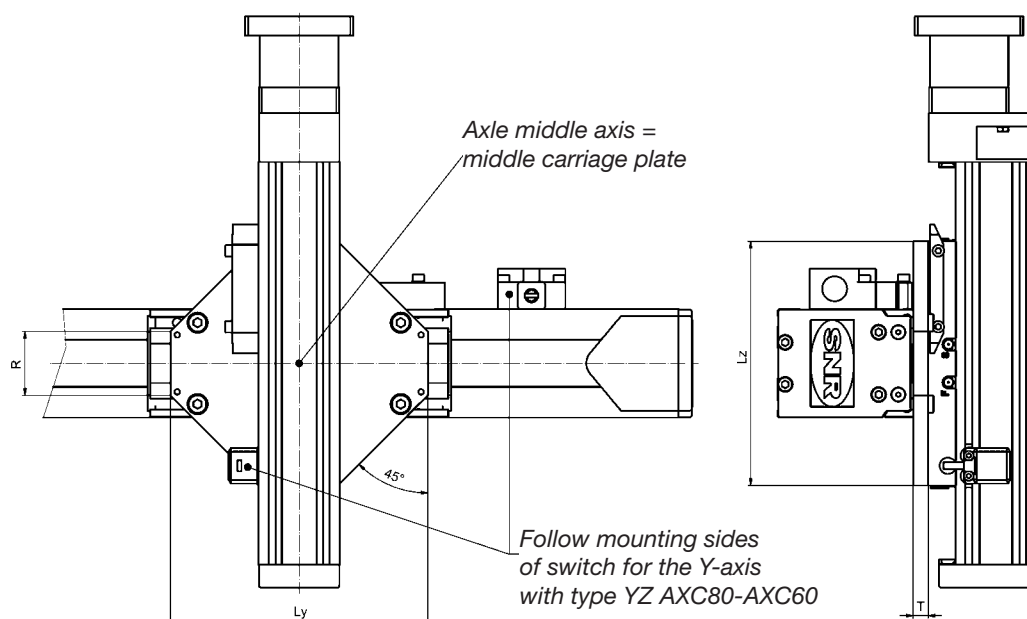
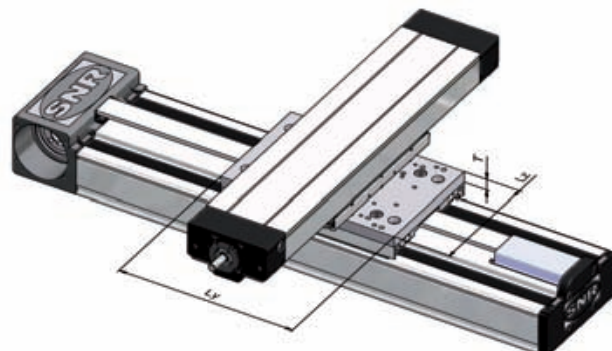
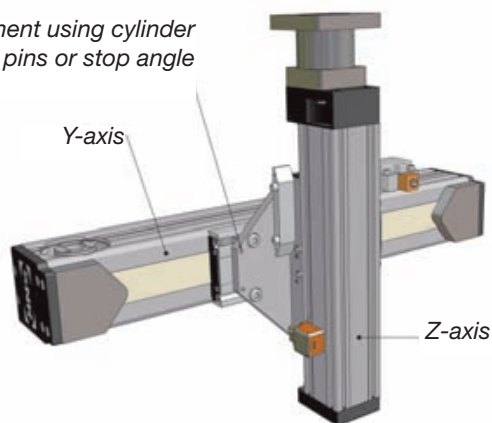
X-axis	Y-axis						
	AXC40	AXC60	AXC80	AXC120	AXDL110	AXDL160	AXDL240
AXC40	AXC direct connection 40-40	AXC direct connection 40-60					
AXC60		2 x AXC direct connection 60-60	AXC direct connection 60-80	AXC direct connection 60-120	AX direct connection 60-110 ⁴⁾		
AXC80				AXC direct connection 80-120		AX direct connection 80-160	AXC direct connection 80-120 (table 280)
AXC120				AXC direct connection 120-120			AXC direct connection 120-120
MB-profile raster 40		AXC direct connection 60-60 + 2 x slut nut 8 ST M6		2 x fixing strip 2(3) 4 (6) x M8x25 DIN 912 4 (6) x slut nut 8 ST M8			Fixing strip 2 (3)
MB-profile raster 50			AXC direct connection 60-80 + 4 x slut nut 8 ST M6			AXDL160 -fixing strip	
AXDL110	AX direct connection 110-40 ¹⁾	AX direct connection 110-60 ¹⁾			AXDL direct connection 110-110		
AXDL160 ²⁾		AX direct connection 160-60	AX direct connection 160-80		AXDL direct connection 160-110	AXDL direct connection 160-160	
AXDL240 ³⁾				AX direct connection 240-120		AXDL direct connection 240-160	AXDL direct connection 240-240

1) Distance plate t = 12 mm
2) Distance plate t = 15 mm

3) Distance plate t = 20 mm
4) Additional holes required on the tabletops of the X-axis

I Cross connection

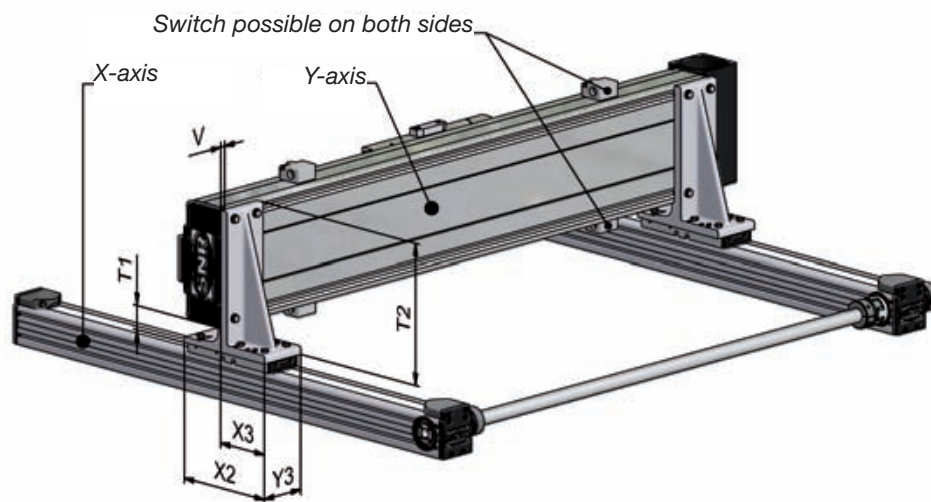
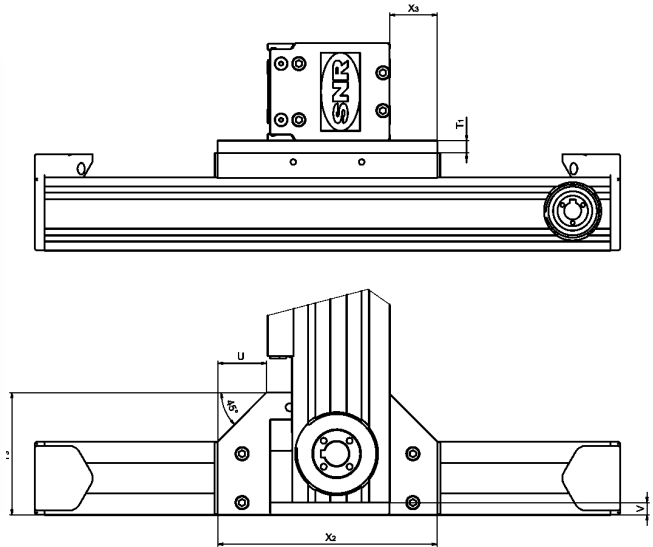
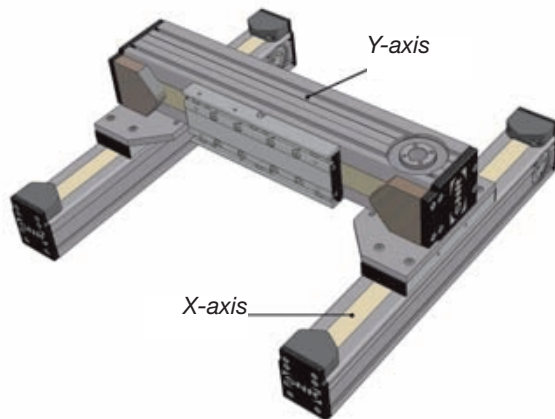
Alignment using cylinder pins or stop angle



Y-axis	Z-axis	Ly	Lz	R	T	Order reference
AXC60	AXC40	90	90	58	10	AXC cross connection 60-40
AXC60	AXC60	90	90	58	12	AXC cross connection 60-60
AXC80	AXC60	190	180	47	11	AXC cross connection 80-60
AXC80	AXC80	220	220	77	15	AXC cross connection 80-80
AXC120	AXC80	280	220	116	20	AXC cross connection 120-80
AXC120	AXC120	280	280	116	20	AXC cross connection 120-120
AXDL110	AXC40	215	120	-	12	AX cross connection 110-40
AXDL110	AXC60	215	120	-	12	AX cross connection 110-60
AXDL160	AXC60	240	160	-	15	AX cross connection 160-60
AXDL160	AXC80	220	200	-	20	AX cross connection 160-80
AXDL240	AXC80	330	240	-	20	AX cross connection 240-80
AXDL240	AXC120	330	325	-	20	AX cross connection 240-120
AXDL110	AXDL110	215	120	-	12	AXDL cross connection 110-110
AXDL160	AXDL110	240	160	-	15	AXDL cross connection 160-110
AXDL160	AXDL160	240	160	-	15	AXDL cross connection 160-160
AXDL240	AXDL160	330	240	-	20	AXDL cross connection 240-160
AXDL240	AXDL240	330	240	-	20	AXDL cross connection 240-240



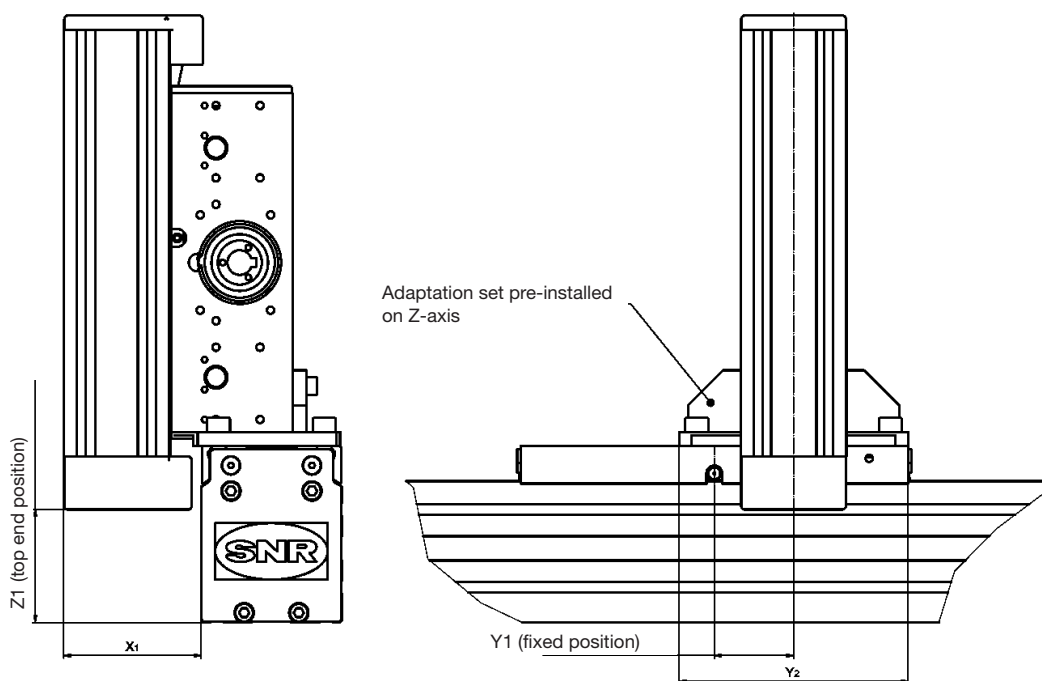
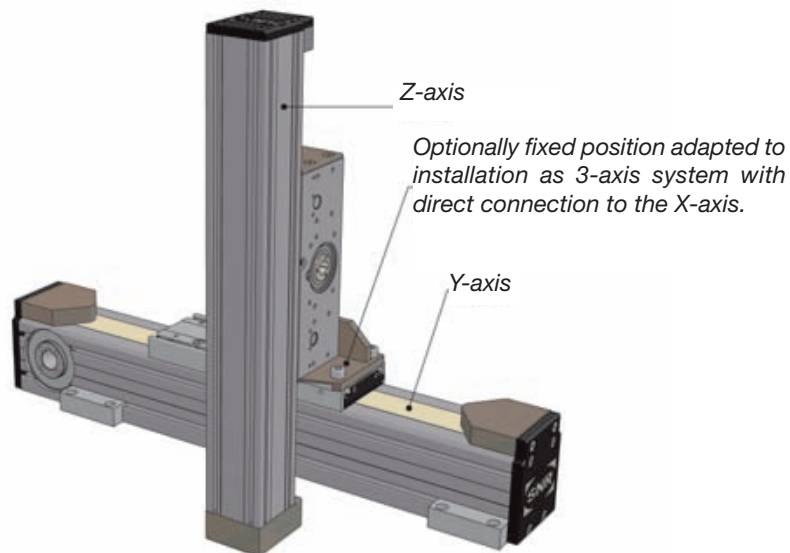
I Gantry connection



X-axis	Y-axis	T1	T2	U	V	X2	X3	Y3	Article description
AXC40	AXC60	8	-	20	-11	98	19	59	AXC gantry connection 40-60
AXC60	AXC80Z	10	-	40	10	180	39	100	AXC gantry connection 60-80
	AXC80S/A	-	-	22	22				
AXC80	AXC80Z	10	-	-	0	155	19	80	AXC gantry connection 80-80
	AXC80S/A	-	-	-	10				
AXC80	AXC120Z	15	-	6	-20 ¹⁾ / 10	194	16	140	AXC gantry connection 80-120
	AXC120S/A				-20 ¹⁾ / 25				
AXC120	AXS280	30	-	-	-40 ¹⁾	170	30/90 ²⁾	200	AXC gantry connection 120-280
AXC60	AXDL110	49	174	-	5,5	160	90	58	AX gantry connection 60-110
	AXDL160	63	237	-	5	220	120	78	AX gantry connection 60-160
AXC80	AXDL160	63	237	-	5	220	120	78	AX gantry connection 80-160
	AXDL240	49	287	-	11	220	120	100	AX gantry connection 80-240
AXC120	AXDL240	49	287	-	11	220	120	100	AX gantry connection 120-240

1) Position on X-axis fixed with cylinder pins.
 2) With table length 600 mm.

I A-standard connection

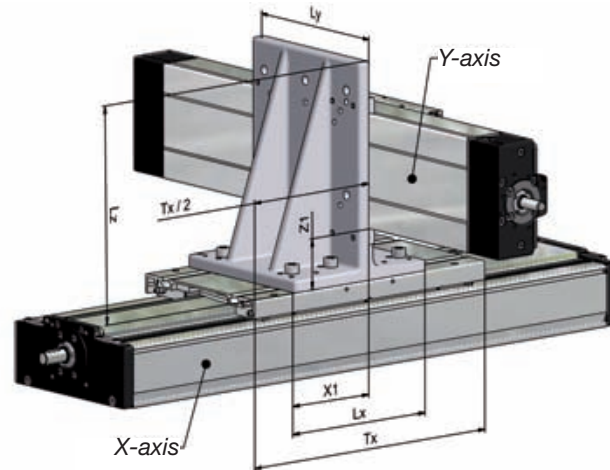


Y-axis	Z-axis	X1	Y1	Y2	Z1	Article description
AXC80	AXC60A	78	45	130	64	AXC A-standard connection 80-60
AXC80A	AXC60A	78	20	130	64	
AXC120	AXC80A	92	59	150	87,5	AXC A-standard connection 120-80
AXC120A	AXC80A	92	0/55	150	87,5	
AXDL110	AXC60A	90	0 / 18	130	29	AXC A-standard connection 110-60
AXDL160	AXC80A	110	0	150	22,5	AXC A-standard connection 160-80
AXDL240	AXC120A	140	0	200	20	AXC A-standard connection 240-120



I AXDL angle connection

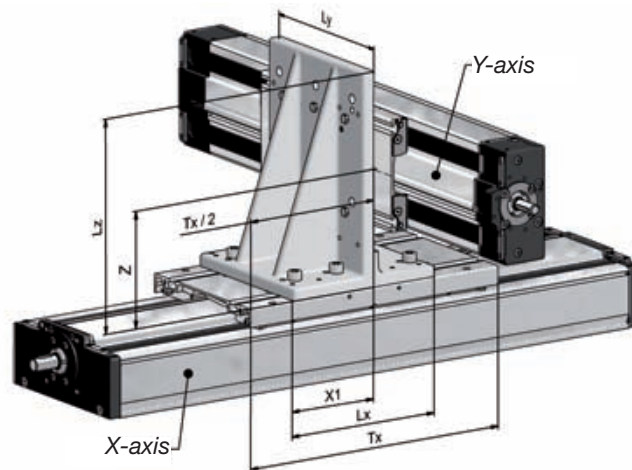
• X-Y profile assembl



Aluminium sand casting
EN AC-AISi7Mg0.3 ST6

X-axis	Y-axis	Lx	X1	Ly	Z1	Lz	Article description
AXDL110	AXDL110	160	90	156	49	209	AXDL angle connection X110-Y110
AXDL160	AXDL110	160	90	156	49	209	AXDL angle connection X160-Y110P
AXDL160	AXDL160	220	120	236	63	287	AXDL angle connection X160-Y160
AXDL240	AXDL160	220	120	236	63	287	AXDL angle connection X240-Y160P
AXDL240	AXDL240	220	120	236	49	287	AXDL angle connection X240-Y240

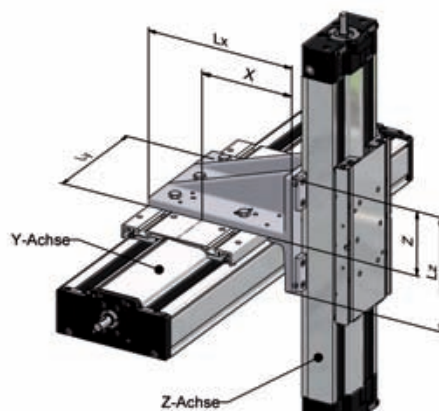
• X-Y tabletop mount



Aluminium sand casting
EN AC-AISi7Mg0.3 ST6

X-axis	Y-axis	Lx	X1	Ly	Z	Lz	Article description
AXDL110	AXDL110	160	90	156	114	209	AXDL angle connection 110-110
AXDL160	AXDL110	160	90	156	114	209	AXDL angle connection X160-Y110T
AXDL160	AXDL160	220	120	236	130	287	AXDL angle connection 160-160-2
AXDL240	AXDL160	220	120	236	144	287	AXDL angle connection X240-Y160T
AXDL240	AXDL240	220	120	236	176,5	287	AXDL angle connection 240-240

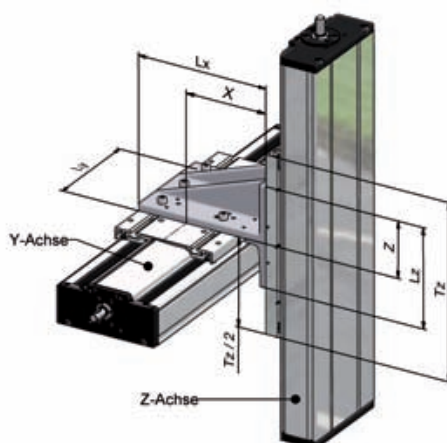
• **Y-Z profile assembly**



Aluminium sand casting
EN AC-AISi7Mg0.3 ST6

Y-axis	Z-axis	Lx	X	Ly	Lz	Z	Article description
AXDL110	AXDL110	209	114	156	160	90	AXDL angle connection Y110-Z110
AXDL160	AXDL110	209	130	156	160	90	AXDL angle connection Y160-Z110P
AXDL160	AXDL160	287	144	236	220	120	AXDL angle connection Y160-Z160
AXDL240	AXDL160	287	176,5	236	220	120	AXDL angle connection Y240-Z160P
AXDL240	AXDL240	287	176,5	236	220	120	AXDL angle connection Y240-Z240

• **Y-Z tabletop mounting**



Aluminium sand casting
EN AC-AISi7Mg0.3 ST6

Y-axis	Z-axis	Lx	X	Ly	Lz	Z	Article description
AXDL110	AXDL110	209	114	156	160	90	AXDL angle connection 110-110
AXDL160	AXDL110	209	130	156	160	90	AXDL angle connection Y160-Z110T
AXDL160	AXDL160	209	130	156	160	90	AXDL angle connection 160-160-2
AXDL240	AXDL160	287	176,5	236	220	120	AXDL angle connection Y240-Z160T
AXDL240	AXDL240	287	176,5	236	220	120	AXDL angle connection 240-240

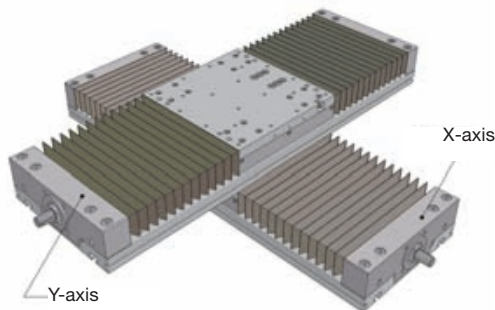


I AXLT direct connection

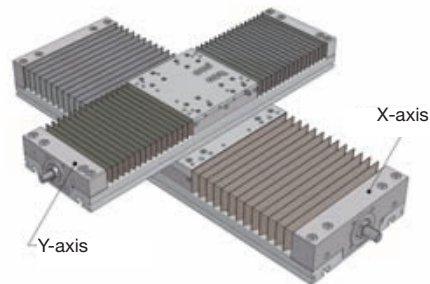
The linear tables of the AXLT series are conceived so that they can be mounted in the simplest way to compound tables. Depending on size an adapter can even be omitted here.

Compound table variation in the layout base board on table top

In this layout linear tables of same size or the next smallest size can be installed on the table top. An adapter plate in both cases is unnecessary.



- **Combination of same sizes**



- **Combination with next smaller size**

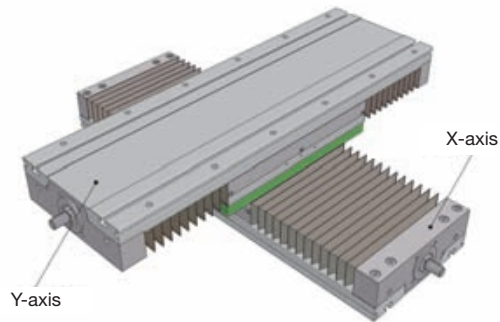
X-axis	Y-axis			
	AXLT155	AXLT225	AXLT325	AXLT455
AXLT155	AXLT direct connection 155-155			
AXLT225	AXLT direct connection 225-155	AXLT direct connection 225-225		
AXLT325		AXLT direct connection 325-225	AXLT direct connection 325-325	
AXLT455			AXLT direct connection 455-325	AXLT direct connection 455-455

I AXLT cross connection

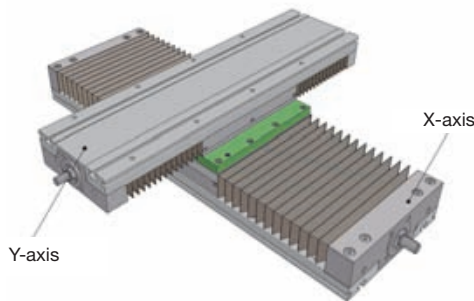
Compound table variation in the layout table top on table top

Also in this layout the linear tables (X-axis) can be combined either with the same or the next smallest size. An adapter plate is no longer necessary from size 325 (X-axis).

- **Combination of same sizes**



- **Combination with next size down**



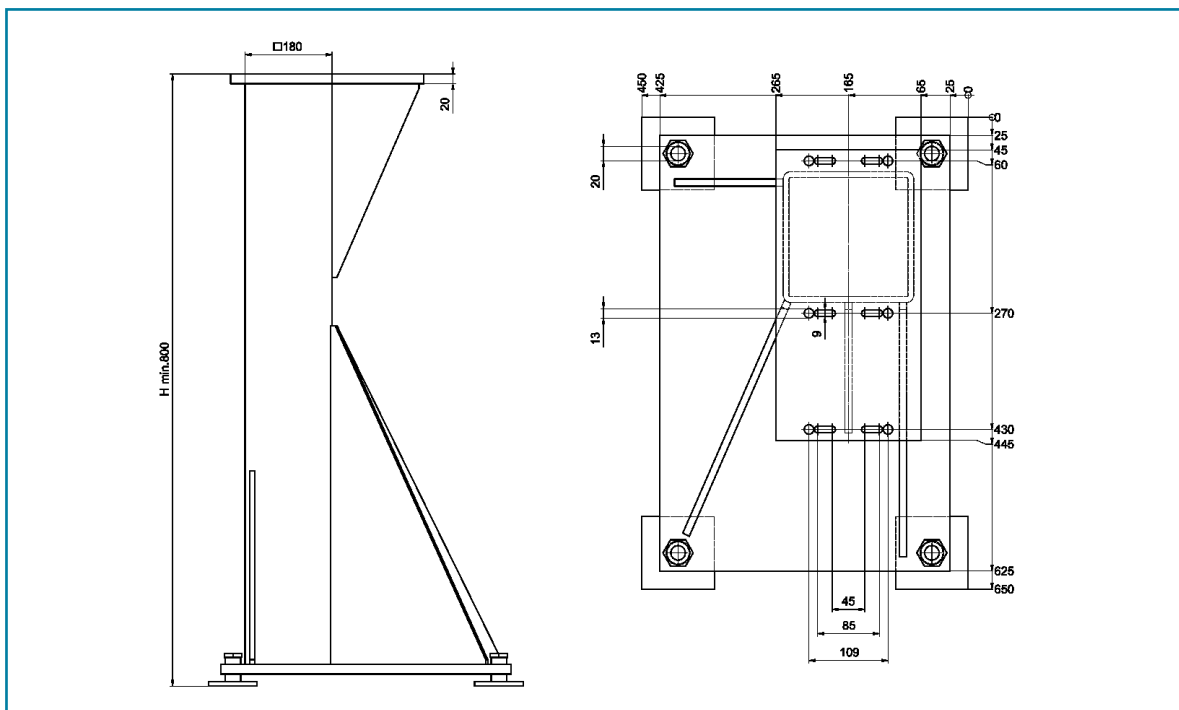
X axis	Y axis				
	AXLT155 (L _T =220)	AXLT225 (L _T =320)	AXLT325 (L _T =320)	AXLT325 (L _T =450)	AXLT455
AXLT155	AXLT Cross connexion 155-155				
AXLT225	AXLT Cross connexion 225-155	AXLT Cross bindung 225-225			
AXLT325		AXLT Cross connexion 325-225	AXLT Cross connexion 325-325	AXLT Cross connexion 325-325	
AXLT455				AXLT Cross connexion 455-325	AXLT Cross connexion 455-455

T = table length in mm.



I SNR gantry support legs

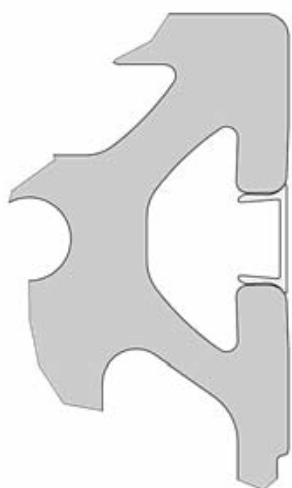
SNR gantry support legs can be used with the AXC series as well as with the AXS series.



I Groove cover for AXC

I Groove insert

To facilitate the cleaning of the linear axis or to prevent heavy contamination, the groove of the profile body can be sealed with the corresponding groove insert. If inductive proximity switches are used (see page 92), the groove insert is included as standard.



Groove insert Al
Color: natural



Groove insert PP
Color: black

Linear axis	Material	Installation options	Article description
AXC40	PP	Underneath	5.PP.black.2000L
AXC60		all	
AXDL240		by the side, upper groove	
AXC80	PP	all	6.PP.black.2000L
	Anodized AL	all	6.2000L natural
AXC120	PP	all	8.PP.black.2000L
AXDL240	Anodized AL	Underneath and by the side lower groove	8.3000L natural